

## Product Data Sheet

### 672 RZ XX Modified

Replace "XX" with 01 through 24 for number of poles

Terminal Block– Closed Back

Modified Construction

30 Amps, 600 Volts (AC/DC)



(Variety of hardware shown on a 10-pole molding)

#### Copper Wire Only

Wire Range with unprepared wire: #12 - #14 AWG

9/16" Centers

[See table below for Wire Classes and torque](#)

#### Electrical Ratings:

- 30A with unprepared wire, (Based on NEC Table 310-16, 75°C columns)
- 30A with Listed ring lug, (Based on NEC Table 310-16, 75°C columns)
- 600 Volts AC/DC (UL 1059 Class C, Use Group – General Industrial)
- Short Circuit Current Rating: 10,000A (Default)
- Approved for Factory Wiring.

NOTE: Use outside these ratings must be judged in end-use application

#### Mechanical Ratings:

- Insulator base temperature rating: -40° C/F to 125°C (257°F) UL RTI
- Flammability rating of insulator base: UL 94V-0

#### Materials:

- Connector (Contact): Brass, tin plated.
- Insulator base: Glass-filled Polycarbonate (Thermoplastic)
- Drive screw (Rivet): Stainless steel
- Screw, #8-32 Binder head, Phil-Slot: Steel, nickel plated

#### Agency Approvals:

- UL Recognized, UL 1059 Terminal Block Standard, File No. XCFR2.E47811
- CSA Certified, CSA C22.2 No. 158, File No. LR19766
- CE compliant, IEC 60947-7-1
- RoHS Compliant

**Wire Range:**

Wire Size	Torque	Copper Wire Stranding Classes - Number of Conductors		
		Solid	Class B	Class C
12	16 in. Lbs	1	1	1
14	16 in. Lbs	1	1	1

**Mounting:**

Suggested product mounting hardware: #8 fastener, torque to 15-20 in. lbs.

**Accessories:**

- Printing:
- Cover – top mounted (May not accommodate some hardware options) . Order CW (white) or CB (Black).

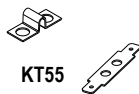


- Marking strips (Sub mounted or Top mounted)



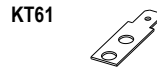
- Line to Line Jumper (J602)

- Quick Connects



Tab width: 0.250  
Tab thickness: 0.032

- Half Quick Connects



- Solder Terminal (602ST)



- Half Solder Terminal (3/4ST)



- Sems Pressure Saddle Screw (3786)



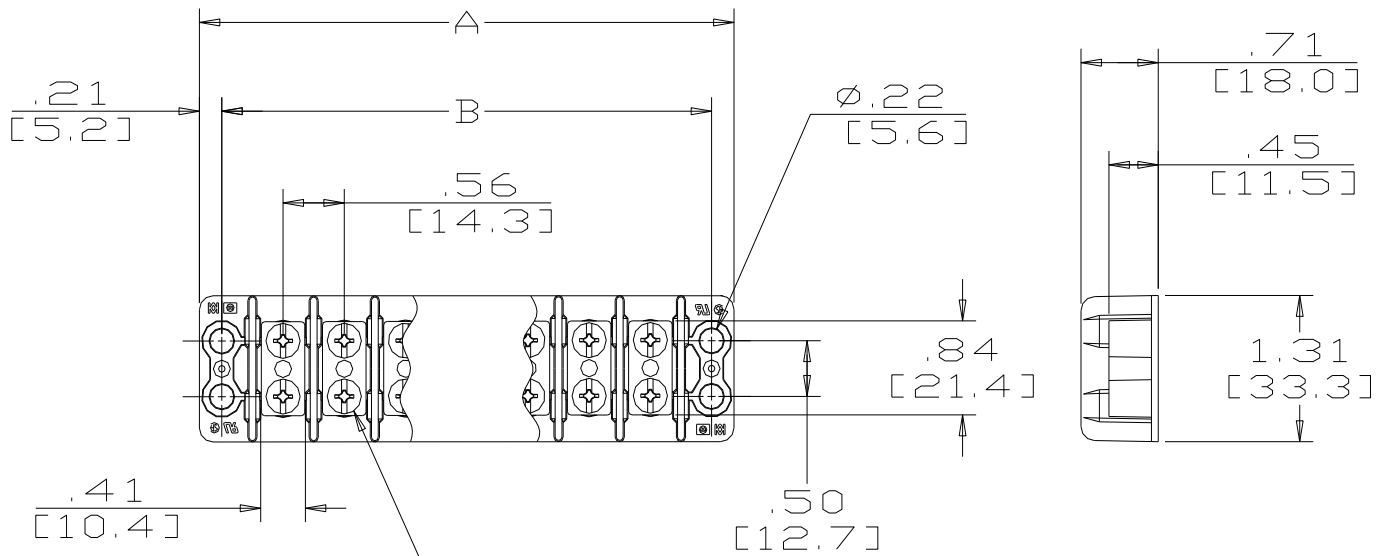
- Sems Pressure Saddle Screw with External Lock Washer (SPSE)



- Phil-Slot Brass Screw (PSB)



Accessory options may affect ratings – consult factory



#8-32 X .38 [9.5]  
BD HD SCREW

KULKA CATALOG #	# OF POLES	DIMENSIONS		KULKA CATALOG #	# OF POLES	DIMENSIONS	
		A	B			A	B
672 RZ 01	1	1.54	1.13	672 RZ 13	13	8.29	7.88
672 RZ 02	2	2.10	1.69	672 RZ 14	14	8.85	8.44
672 RZ 03	3	2.66	2.25	672 RZ 15	15	9.41	9.00
672 RZ 04	4	3.22	2.81	672 RZ 16	16	9.97	9.56
672 RZ 05	5	3.78	3.38	672 RZ 17	17	10.54	10.13
672 RZ 06	6	4.35	3.94	672 RZ 18	18	11.10	10.69
672 RZ 07	7	4.91	4.50	672 RZ 19	19	11.66	11.25
672 RZ 08	8	5.47	5.06	672 RZ 20	20	12.22	11.81
672 RZ 09	9	6.04	5.63	672 RZ 21	21	12.79	12.38
672 RZ 10	10	6.60	6.19	672 RZ 22	22	13.35	12.94
672 RZ 11	11	7.16	6.75	672 RZ 23	23	13.91	13.50
672 RZ 12	12	7.72	7.31	672 RZ 24	24	14.47	14.06

Top Mounted Hardware is .250" Wide

MM = Dim X 25.4